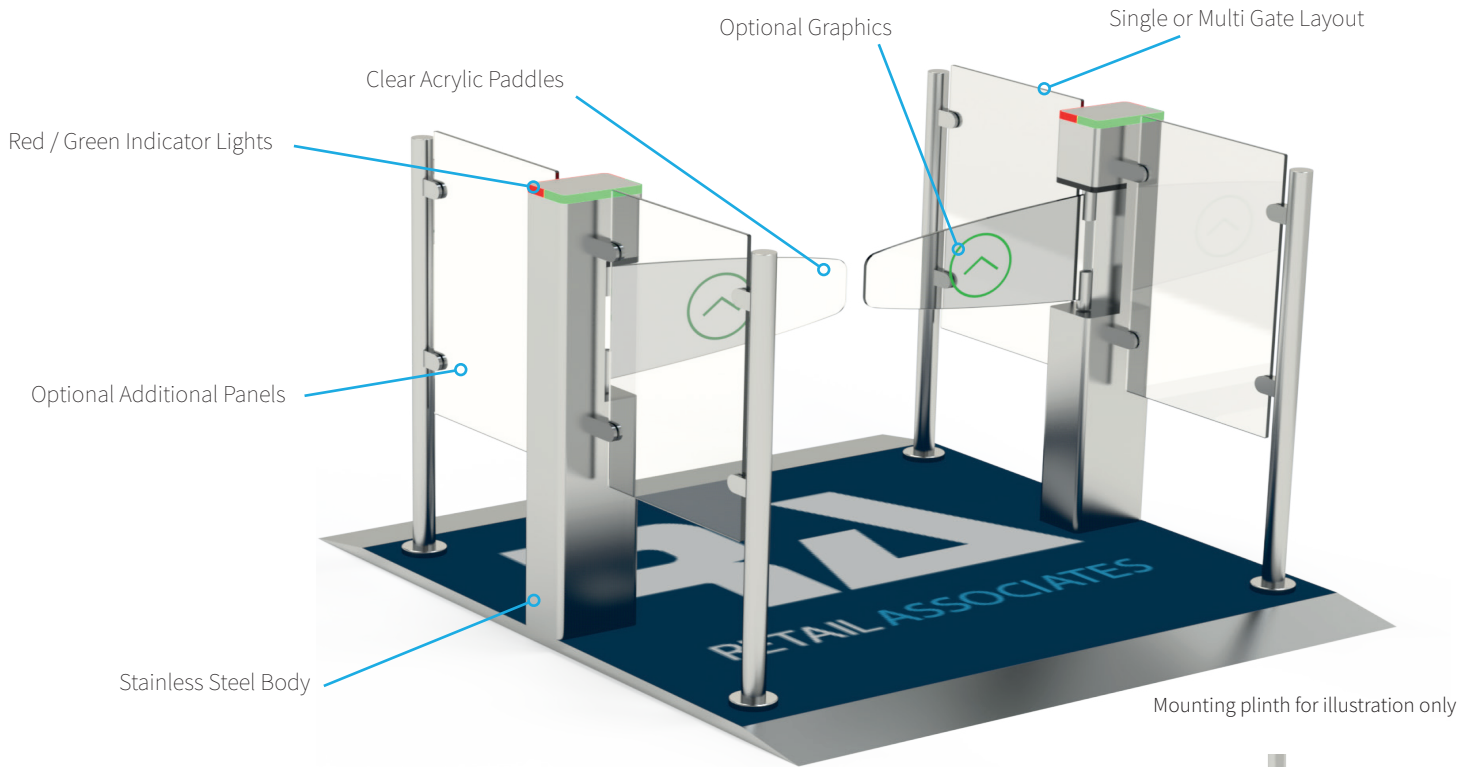
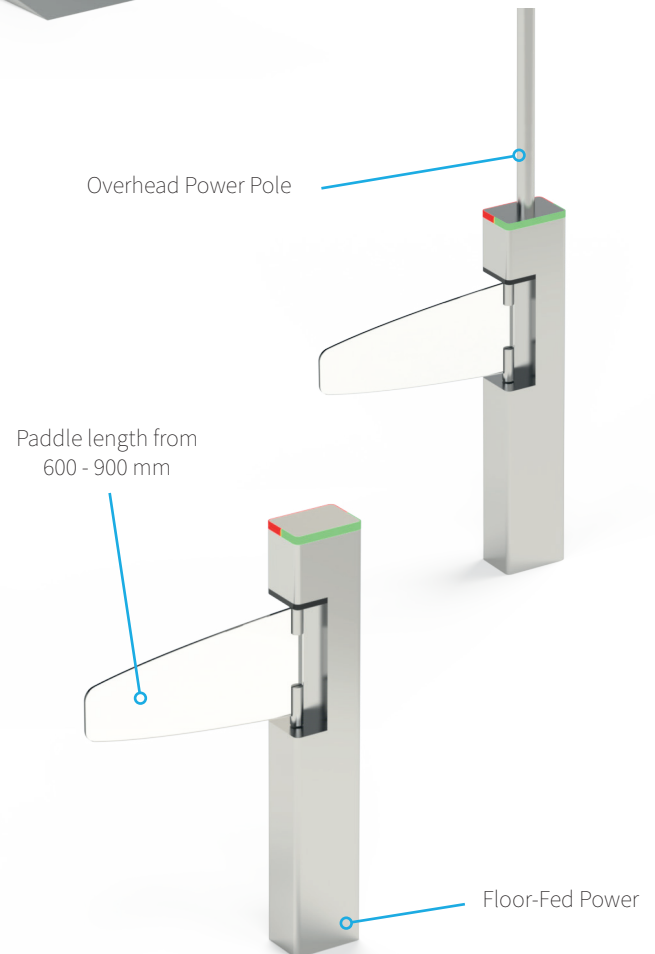


SG RETAIL PEDESTRIAN GATE

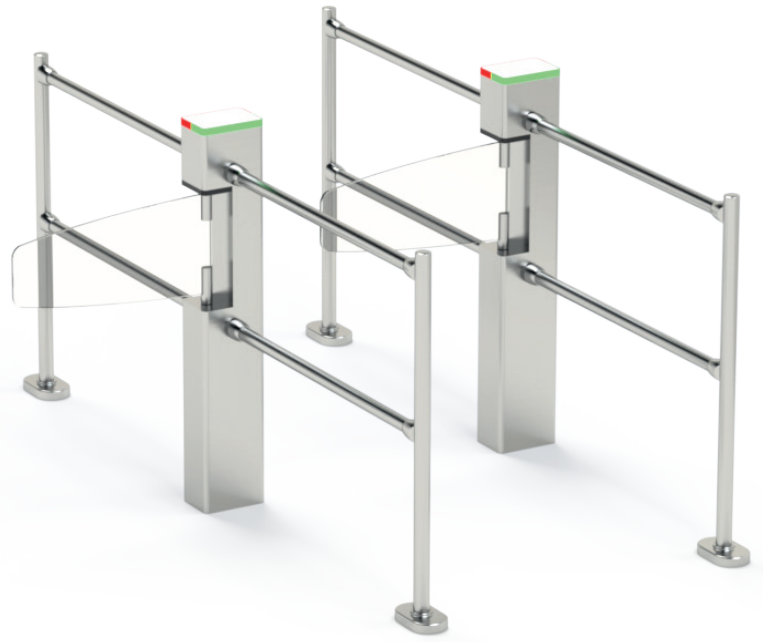


Product Overview

- The SG Retail gate is an Entry level barrier, ideal for premises and internal locations with low/medium security levels.
- The gate can be supplied with shallow arms ranging from 600mm-900mm wide. Full depth arm option available for the smaller size.
- The gate is fabricated from Brushed 304 grade stainless steel, with the arm material 10mm plexi-glass.
- The gate can be used as a single gate or work as a master/slave configuration to meet fire regulations and accessibility for people with reduced mobility or deliveries.
- The gate is supplied as standard with 3 No detection sensors (Direction A, B and at rest position).
- LED's are fitted to the top the gate highlighting functionality and operational status to the user.



- SG Retail gate has 9 standard control modes, which can be custom-configured to suit individual requirements, ranging from Controlled, Free and Barred.
- Each gate is supplied with built in photocells for users over 1 meter, which offers protection during both opening and closing cycles.
- An Electromechanical locking brake is fitted to the gate drive assembly, enabling the gate to withstand forced entry attempts.
- Upon power failure, the gate arms can be pushed open to offer a failsafe passage route in both directions.
- Once power has been restored, the gate will return to its normal operating function.
- Can be connected to a Fire Alarm to enable the gate to drive open in an emergency.



Controls

- Gate can be controlled via push button, card, scanner, face or fingerprint (all options by 3rd party suppliers).
- Open command: Normally open volt free contacts, closing for not more than 1 second.

Specifications

- Mains Voltage**
240V AC
- Operation Voltage**
24V DC
- Throughput Rate**
10-20 people/minute
- Operation Temperature**
-20 degrees C/+60 degrees C
- Indicators**
LED on both directions (as standard)
- Body**
304 grade brushed stainless steel
- Weight**
35kgs (per gate) based on 600mm arm
- Gate colum dimensions**
1150mm high x 140mm wide x 200mm deep
- Gate Passage Width**
Either 600mm or 900mm

