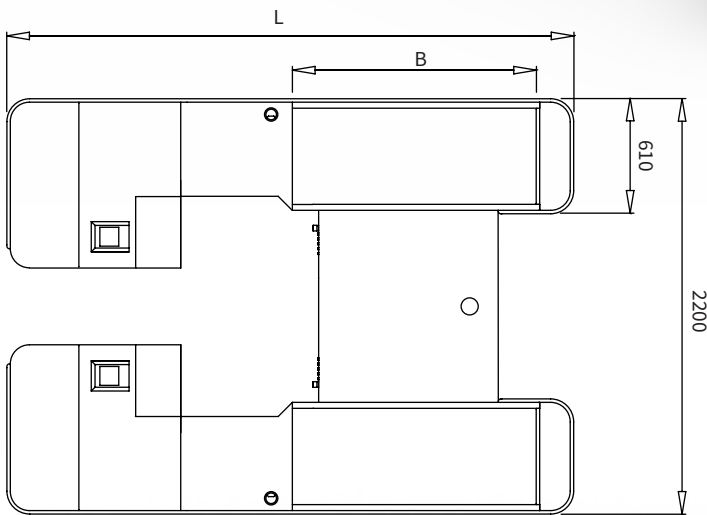
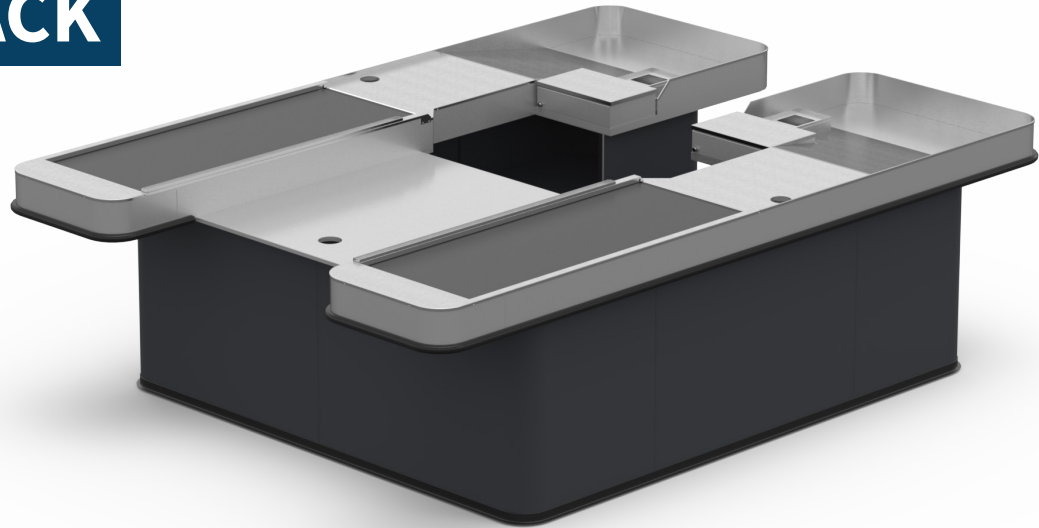


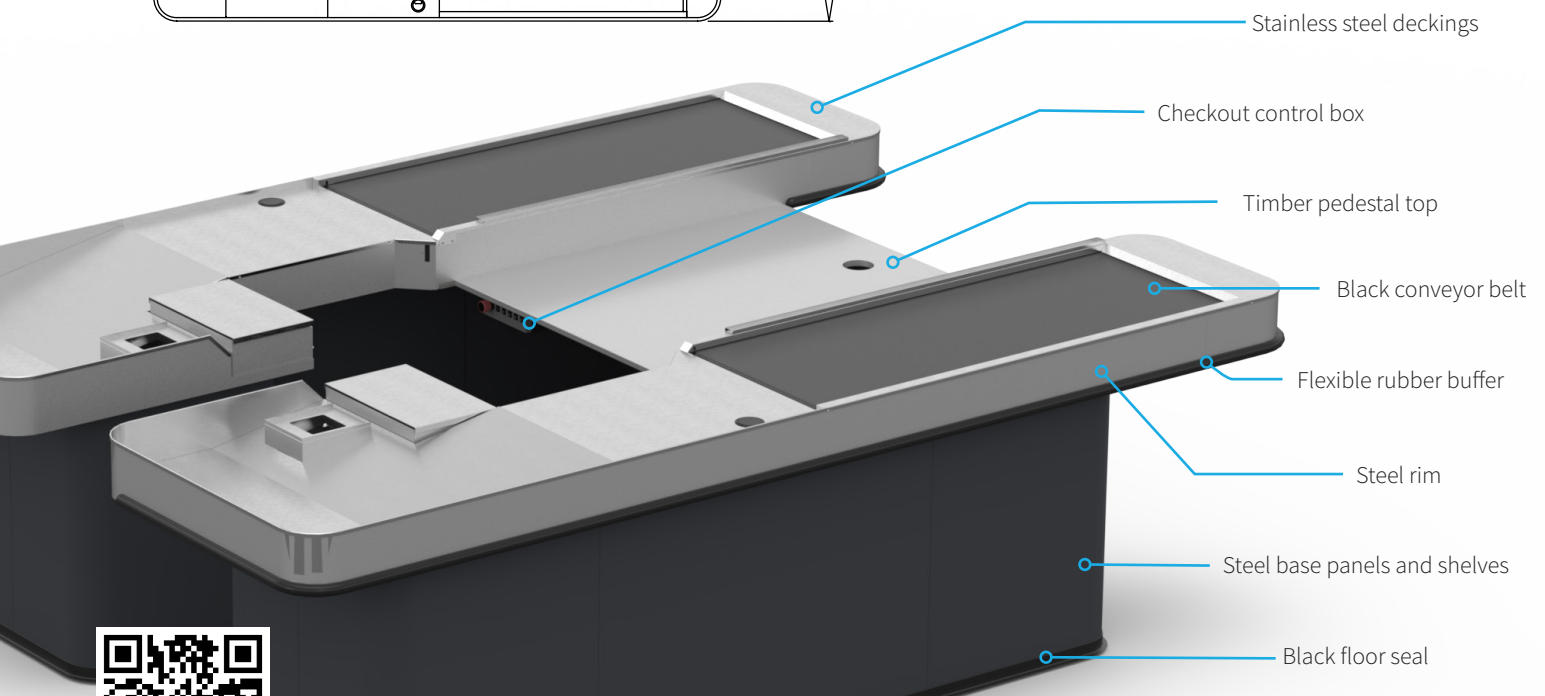
CHECKOUT

**BACK TO BACK**

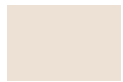









Available in lengths of 2.7m, 3m and 3.4m

| L (Checkout Length) | B (Belt Length) |
|---------------------|-----------------|
| 2700                | 1000            |
| 3000                | 1300            |
| 3400                | 1700            |



**COLOURS**

-  Cream  
RAL9001
-  Pure White  
RAL9010
-  Light Ivory  
RAL1015
-  White Aluminium  
RAL9006
-  Grey Aluminium  
RAL9007
-  Inver Grey Metallic  
EP 909384 SM
-  Slate Grey  
RAL7015
-  Umbra Grey  
RAL7022

*Other colours may be requested subject to availability*

**ADDITIONAL ACCESSORIES**



Alarmed or Non-Alarmed Gate



Retractable Webbing Barrier



Chain with No Entry Disk



Additional Sockets



Next Customer Bars



Foot Rest



Operator Chair



Operator Stool



Call Bell



Chip & Pin Reader Holder



POS Post



Counter Cache

**OPTIONAL MANUFACTURED EXTRAS**

Overhead service pole (if required)

Configurable decking area for EPOS requirements

Acrylic screens available in two standard heights: 350mm and 600mm

Free standing merchandising unit with interchangeable shelving solutions

